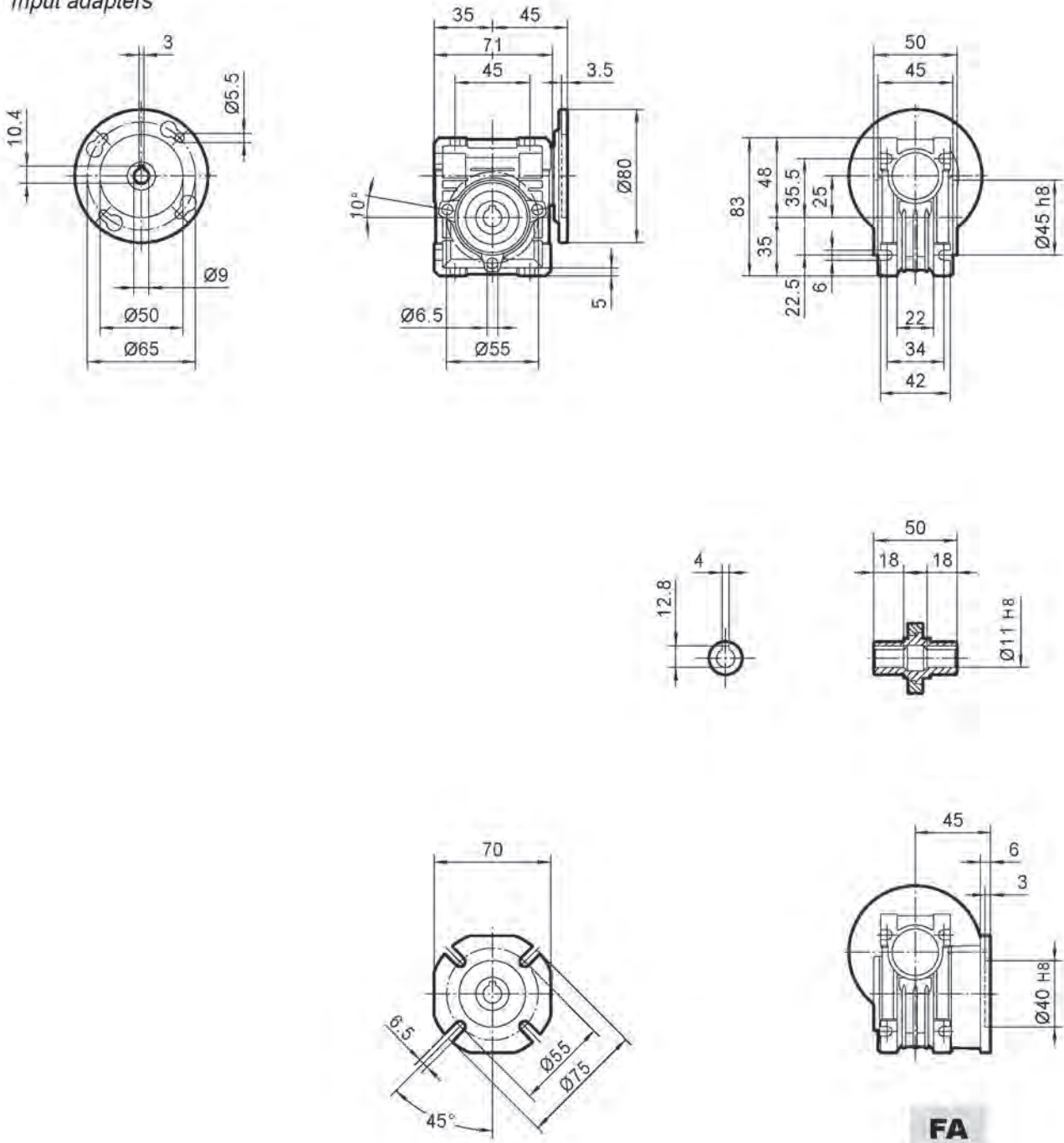


8. OUTLINE DIMENSION SHEET

8.1 TNRV.. Outline dimension

TNRV025..(IEC)

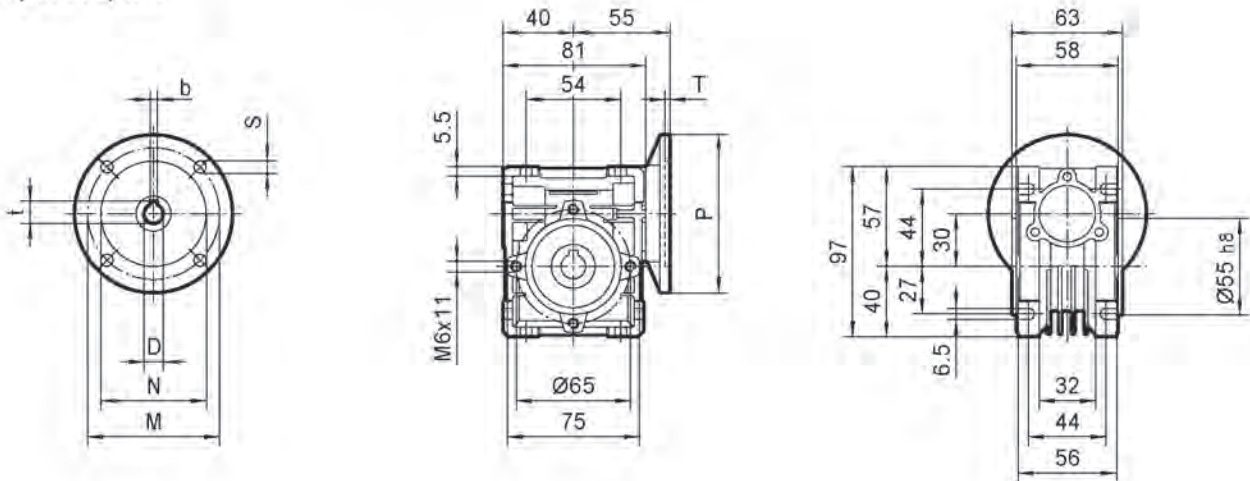
Input adapters



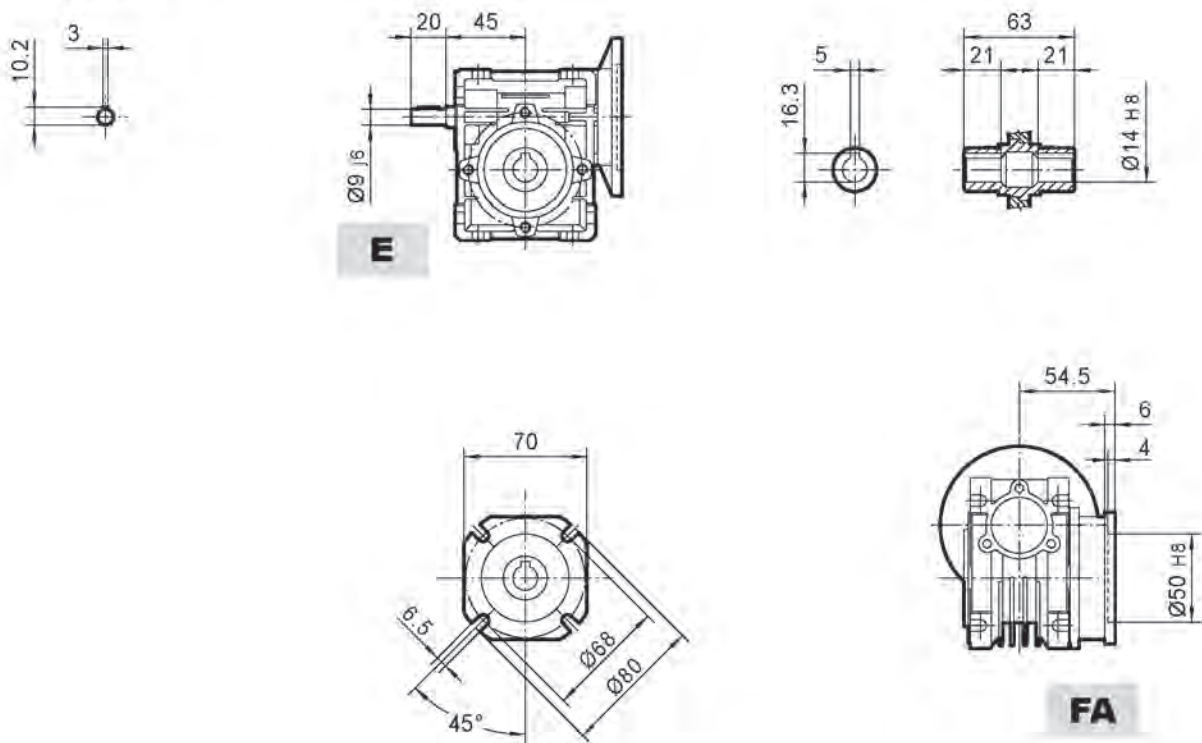
Weight without motor ≈ 0.7 kg

TNRV030..(IEC)

Input adapters



Worm output shaft

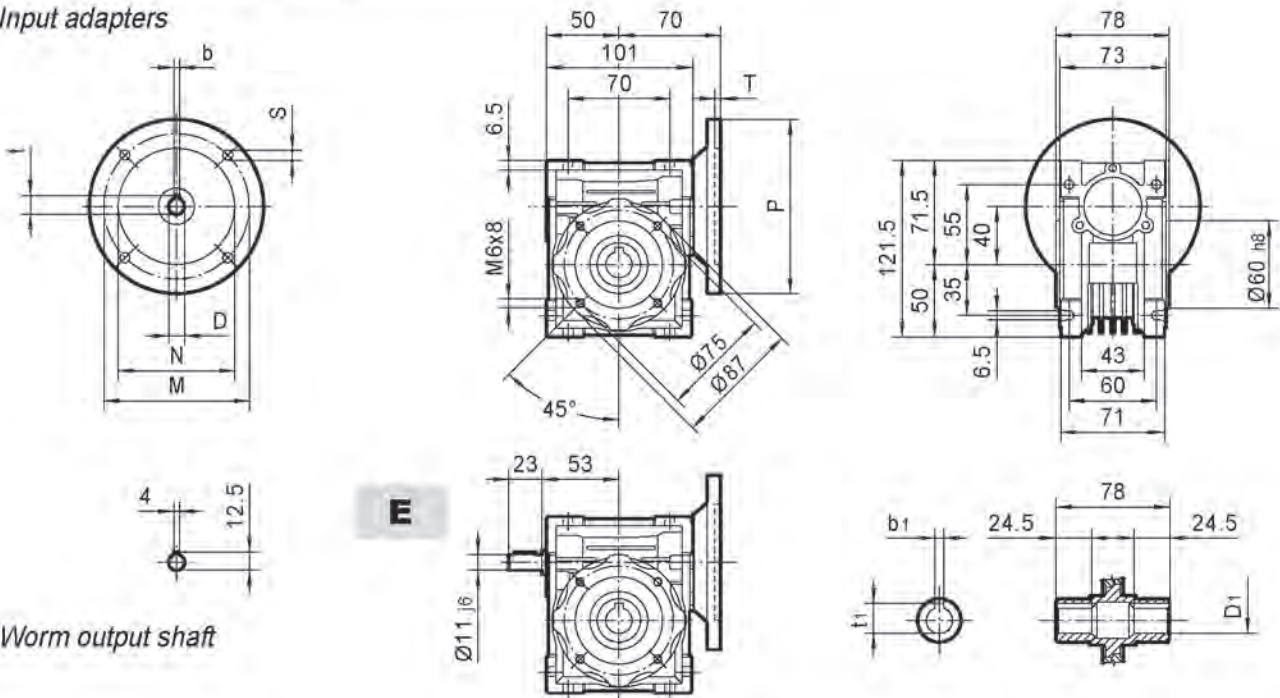


IEC	D_{E8}	b	t	P	M	N	S	T
56B5	9	3	10.4	120	100	80	7	4
56B14	9	3	10.4	80	65	50	5.5	4
63B5	11	4	12.8	140	115	95	9	4
63B14	11	4	12.8	90	75	60	5.5	4

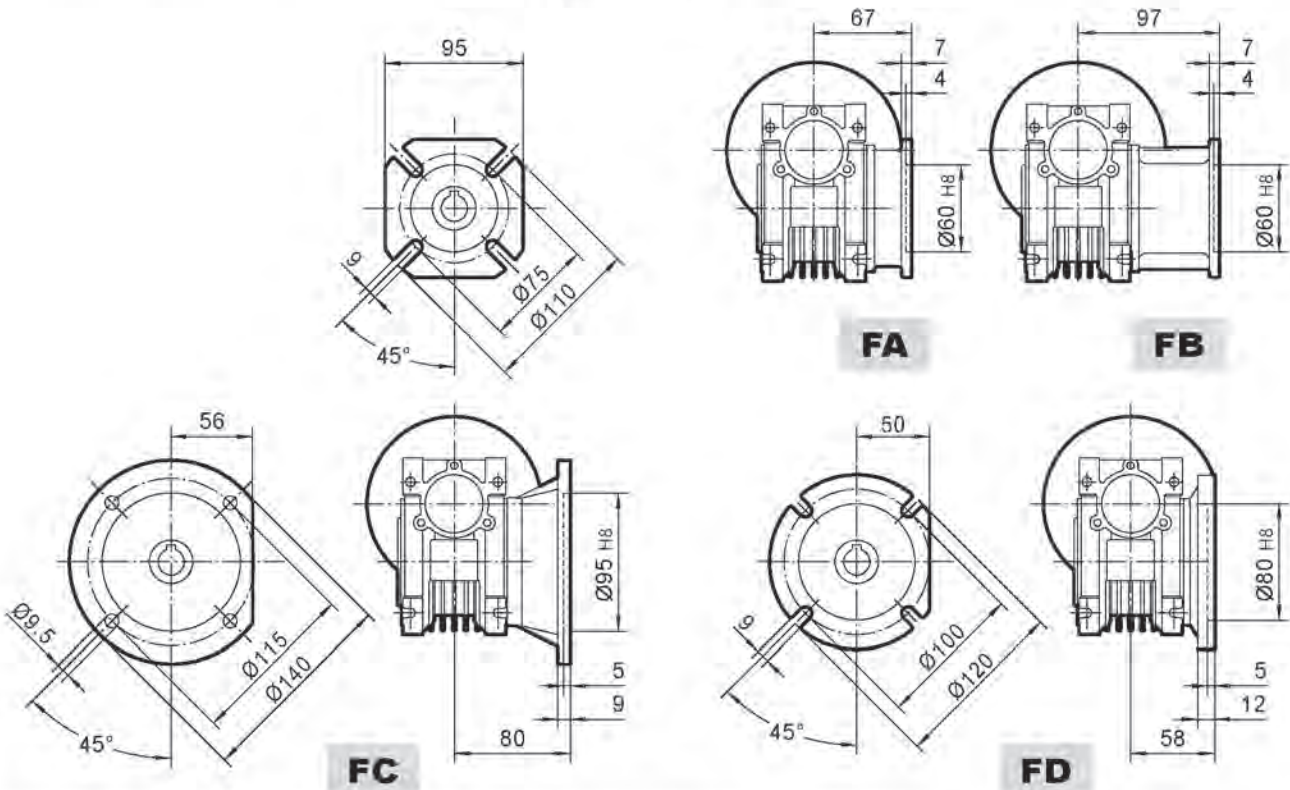
Weight without motor $\approx 1.2 \text{ kg}$

TNRV040..(IEC)

Input adapters



Worm output shaft

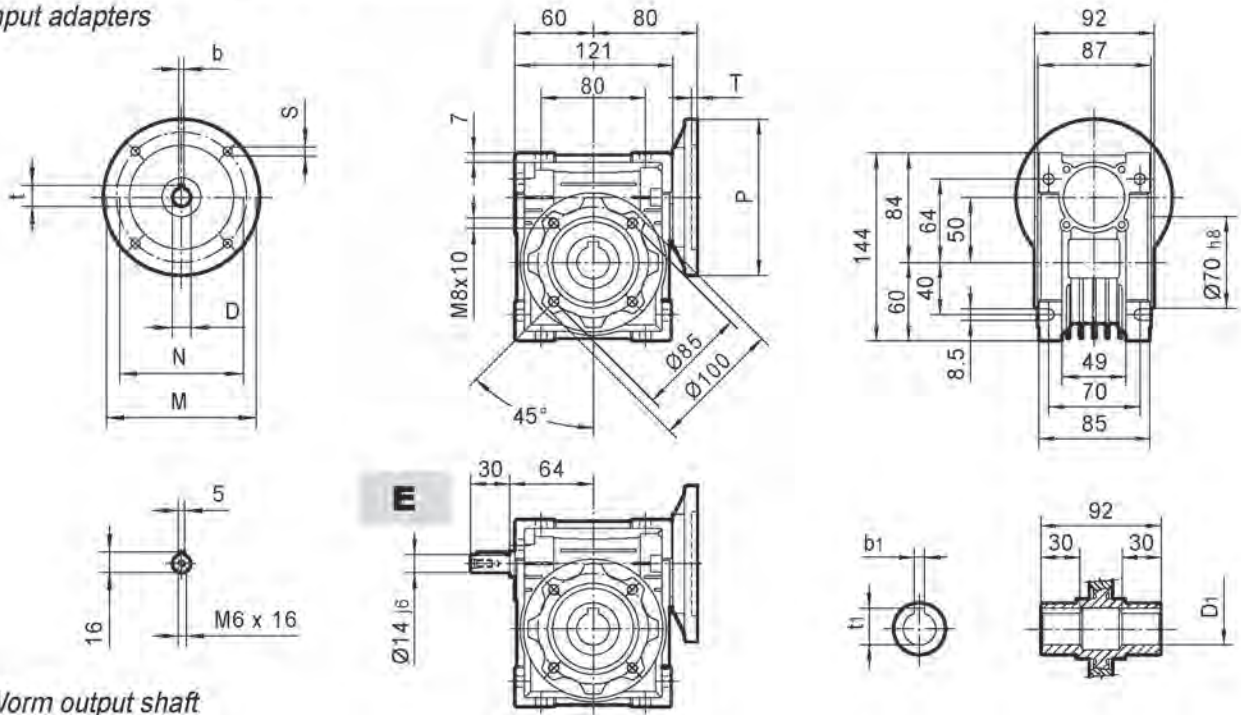


IEC	D _{E8}	b	t	P	M	N	S	T	D ₁ H ₈	b ₁	t ₁
56B5	9	3	10.4	120	100	80	7	4	18	6	20.8
63B5	11	4	12.8	140	115	95	9	4	19*	6*	21.8*
63B14	11	4	12.8	90	75	60	5.5	4	* Only on request		
71B5	14	5	16.3	160	130	110	9	4			
71B14	14	5	16.3	105	85	70	7	4			

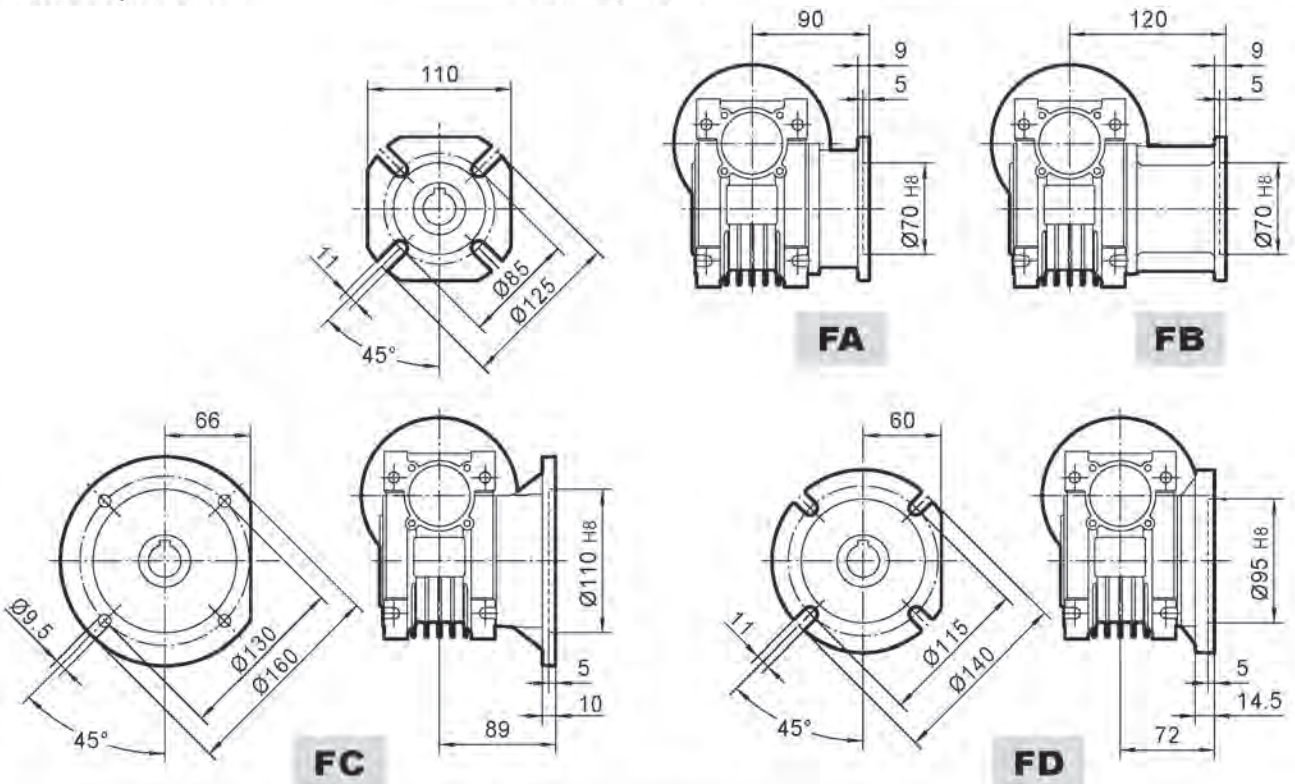
Weight without motor ≈ 2.3 kg

TNRV050..(IEC)

Input adapters



Worm output shaft

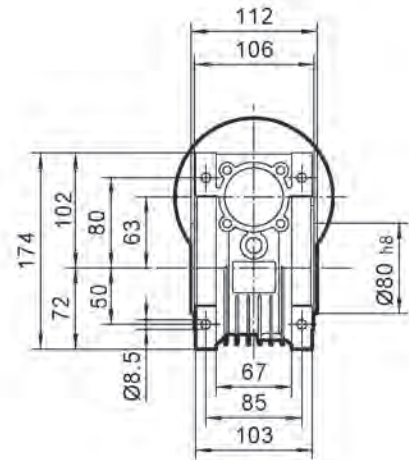
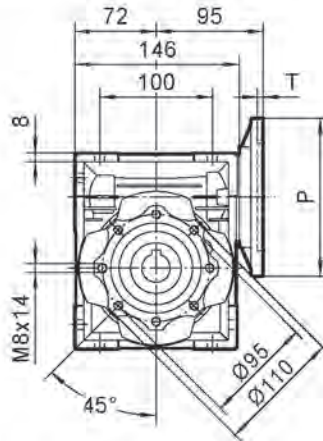
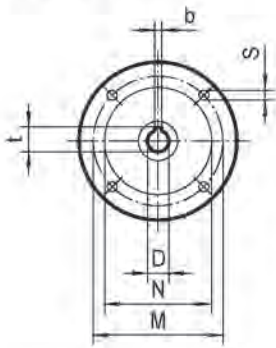


IEC	DE8	b	t	P	M	N	S	T	D1 H8	b1	t1
63B5	11	4	12.8	140	115	95	9	4	25	8	28.3
71B5	14	5	16.3	160	130	110	9	4	24*	8*	27.3*
71B14	14	5	16.3	105	85	70	7	4	* Only on request		
80B5	19	6	21.8	200	165	130	11	4			
80B14	19	6	21.8	120	100	80	7	4			

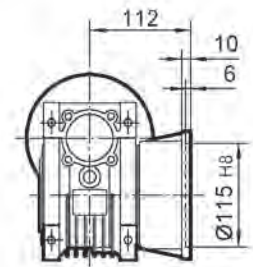
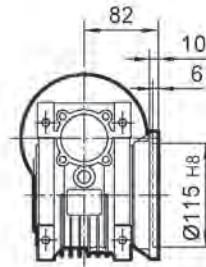
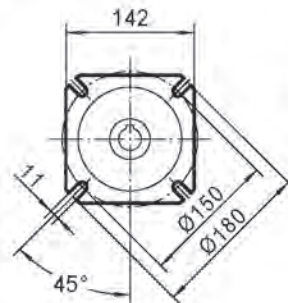
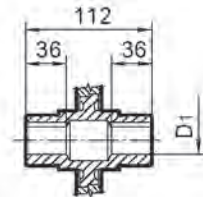
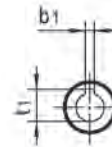
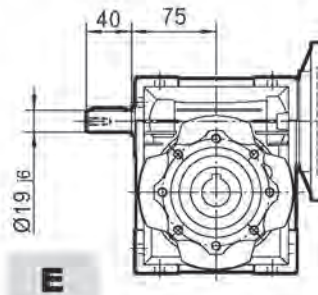
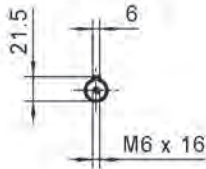
Weight without motor ≈ 3.5 kg

TNRV063..(IEC)

Input adapters

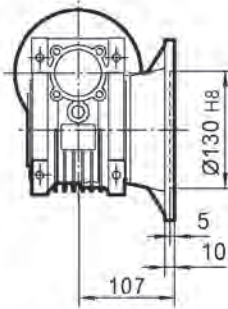
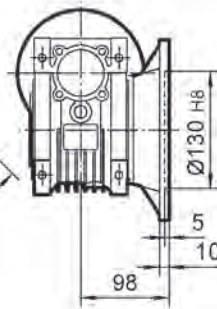
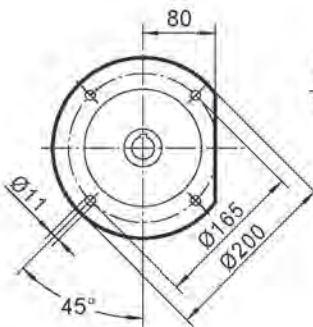


Worm output shaft



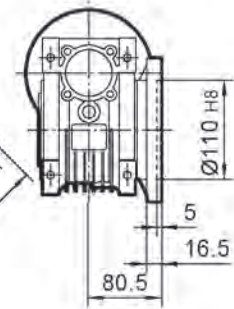
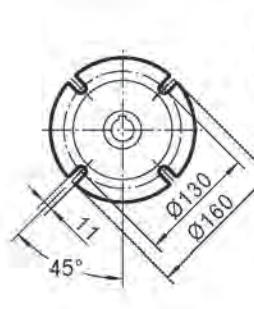
FA

FB



FC

FD



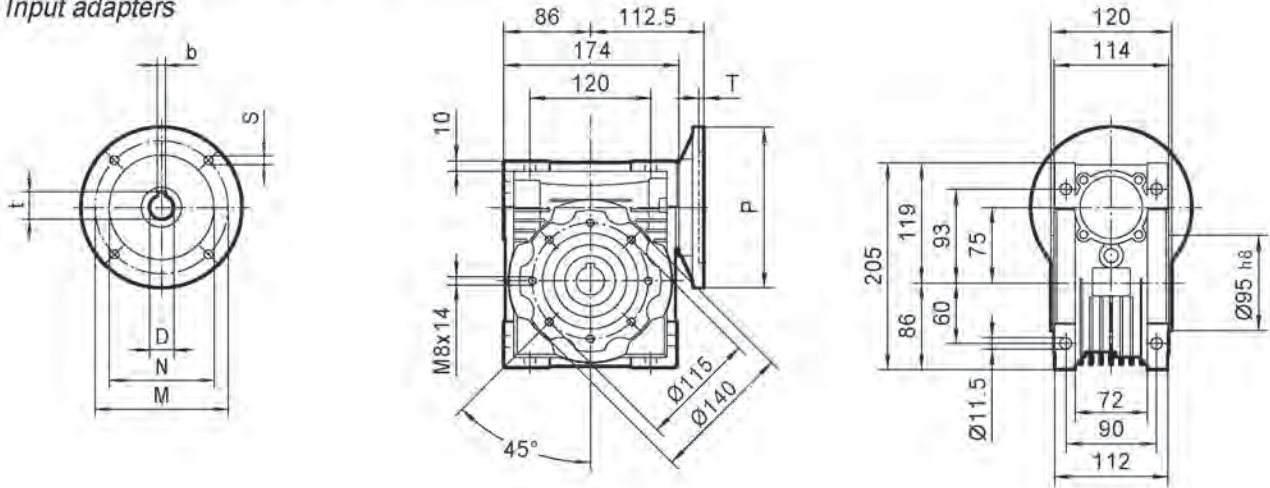
FE

IEC	DE8	b	t	P	M	N	S	T	D1 H8	b1	t1
71B5	14	5	16.3	160	130	110	9	4	25	8	28.3
71B14	14	5	16.3	105	85	70	7	4	28*	8*	31.3*
80B5	19	6	21.8	200	165	130	11	4	* Only on request		
80B14	19	6	21.8	120	100	80	7	4			
90B5	24	8	27.3	200	165	130	11	4			
90B14	24	8	27.3	140	115	95	9	4			

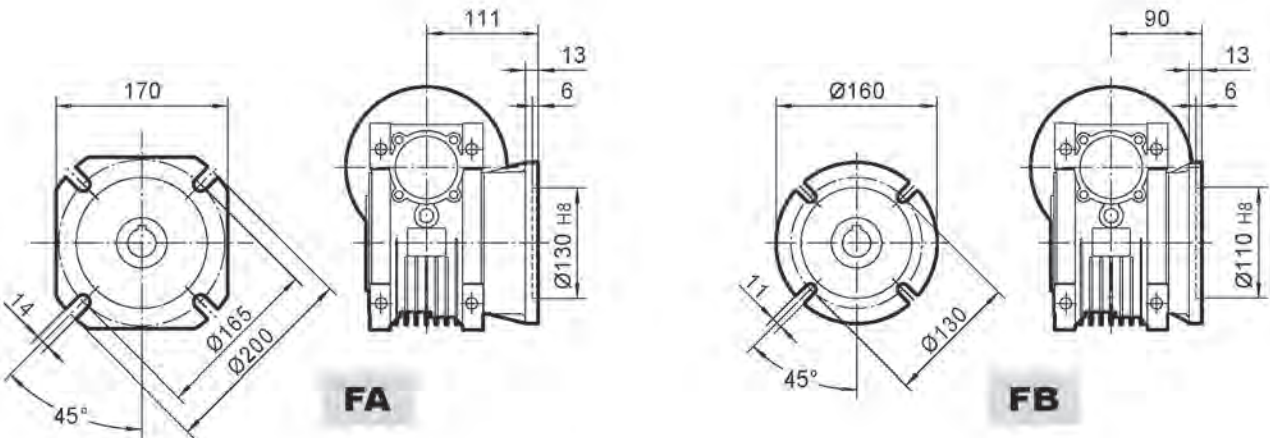
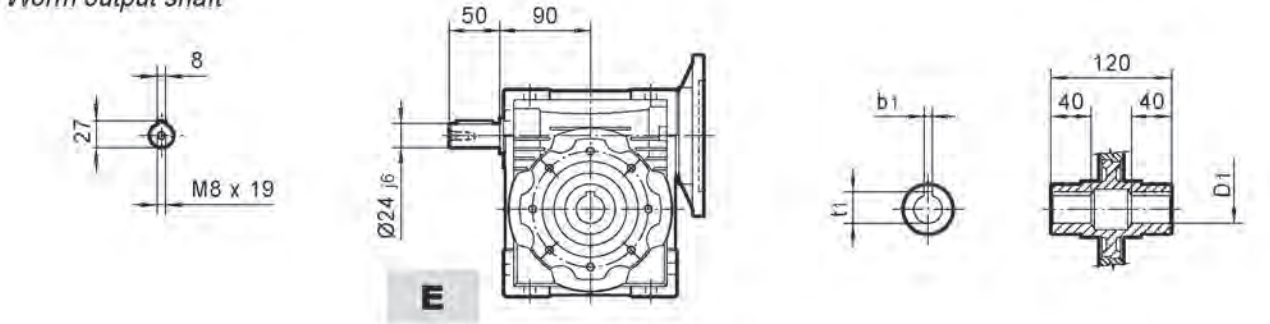
Weight without motor ≈ 6.2 kg

TNRV075..(IEC)

Input adapters



Worm output shaft

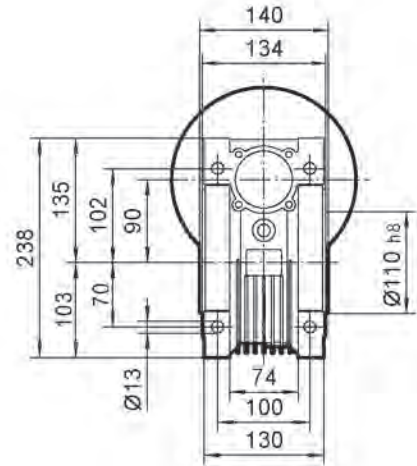
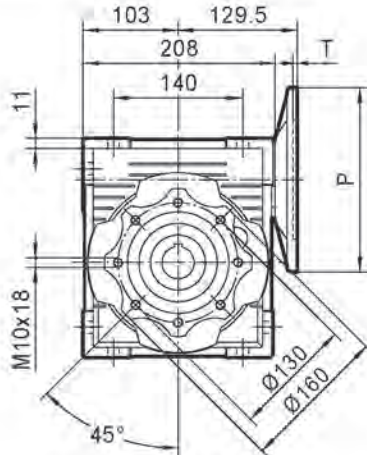
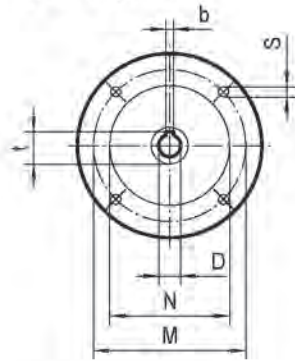


IEC	DE8	b	t	P	M	N	S	T	D1 H8	b1	t1
71B5	14	5	16.3	160	130	110	9	4	28	8	31.3
80B5	19	6	21.8	200	165	130	11	4	35*	10*	38.3*
80B14	19	6	21.8	120	100	80	7	4	* Only on request		
90B5	24	8	27.3	200	165	130	11	4			
90B14	24	8	27.3	140	115	95	9	4			
100/112B5	28	8	31.3	250	215	180	13.5	4.5			
100/112B14	28	8	31.3	160	130	110	9	4.5			

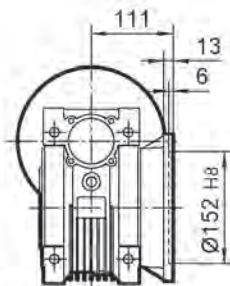
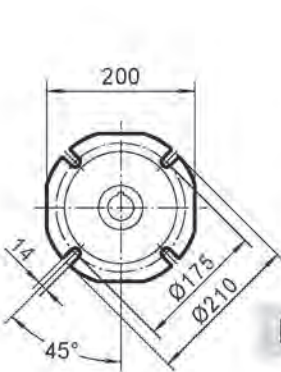
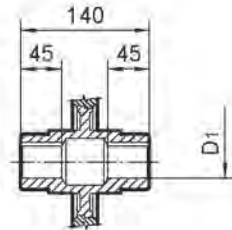
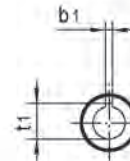
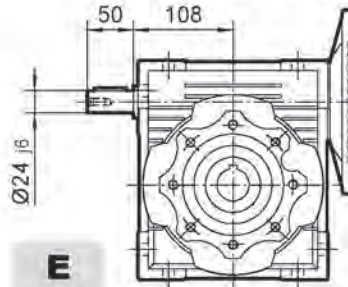
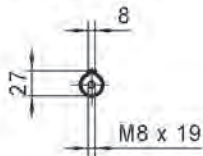
Weight without motor $\approx 9 \text{ kg}$

TNRV090..(IEC)

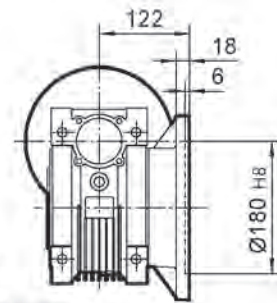
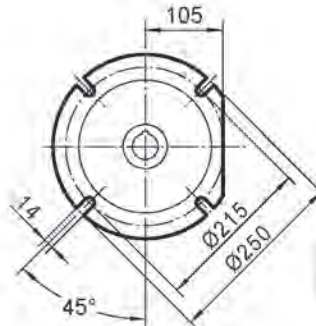
Input adapters



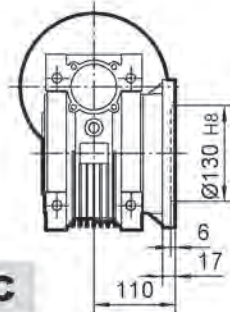
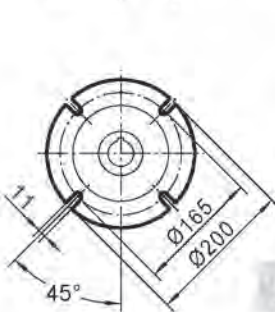
Worm output shaft



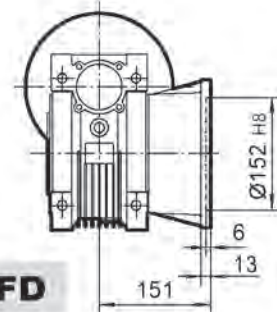
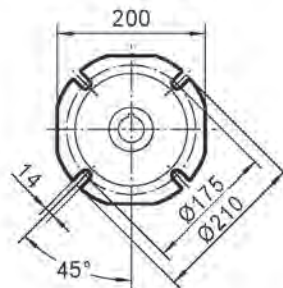
FA



FB



FC



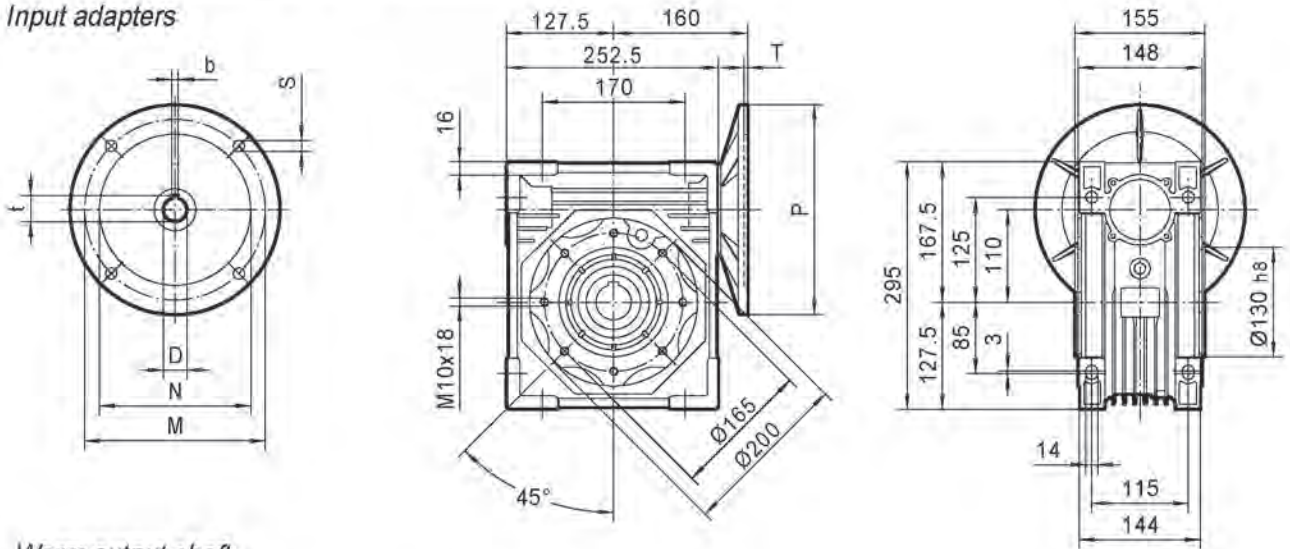
FD

IEC	DE8	b	t	P	M	N	S	T	D1 H8	b1	t1
80B5	19	6	21.8	200	165	130	11	4	35	10	38.3
80B14	19	6	21.8	120	100	80	7	4	38*	10*	41.3*
90B5	24	8	27.3	200	165	130	11	4	* Only on request		
90B14	24	8	27.3	140	115	95	9	4			
100/112B6	28	8	31.3	250	215	180	13.5	4.5			
100/112B14	28	8	31.3	160	130	110	9	4.5			

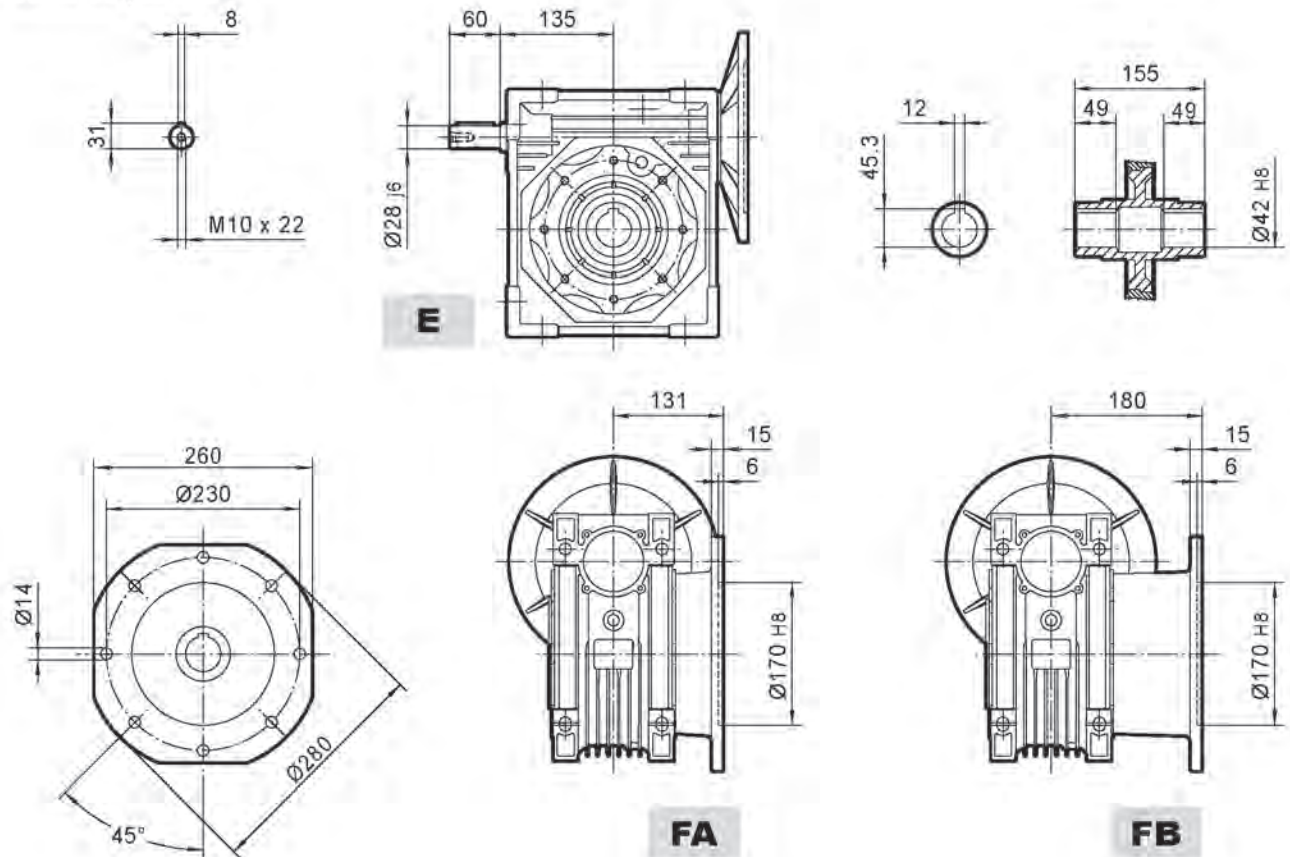
Weight without motor ≈ 13 kg

TNRV105..(IEC)

Input adapters



Worm output shaft

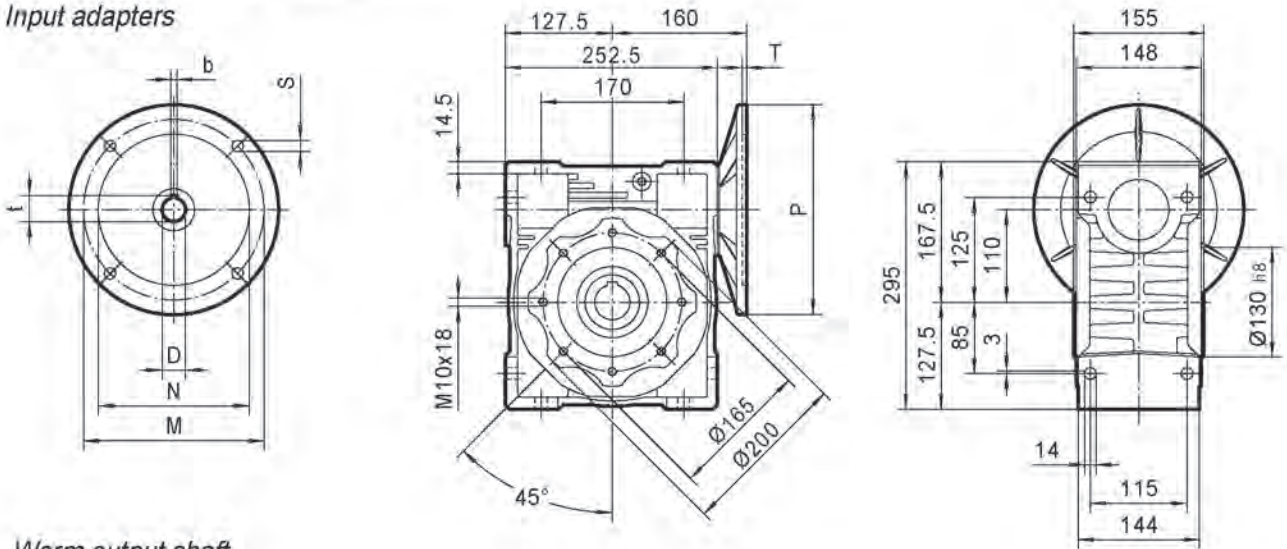


IEC	D_{E8}	b	t	P	M	N	S	T
80B5	19	6	21.8	200	165	130	11	4
90B5	24	8	27.3	200	165	130	11	4
100B5	28	8	31.3	250	215	180	14	4.5
112B5	28	8	31.3	250	215	180	14	4.5
132B5	38	10	41.3	300	265	230	14	4.5

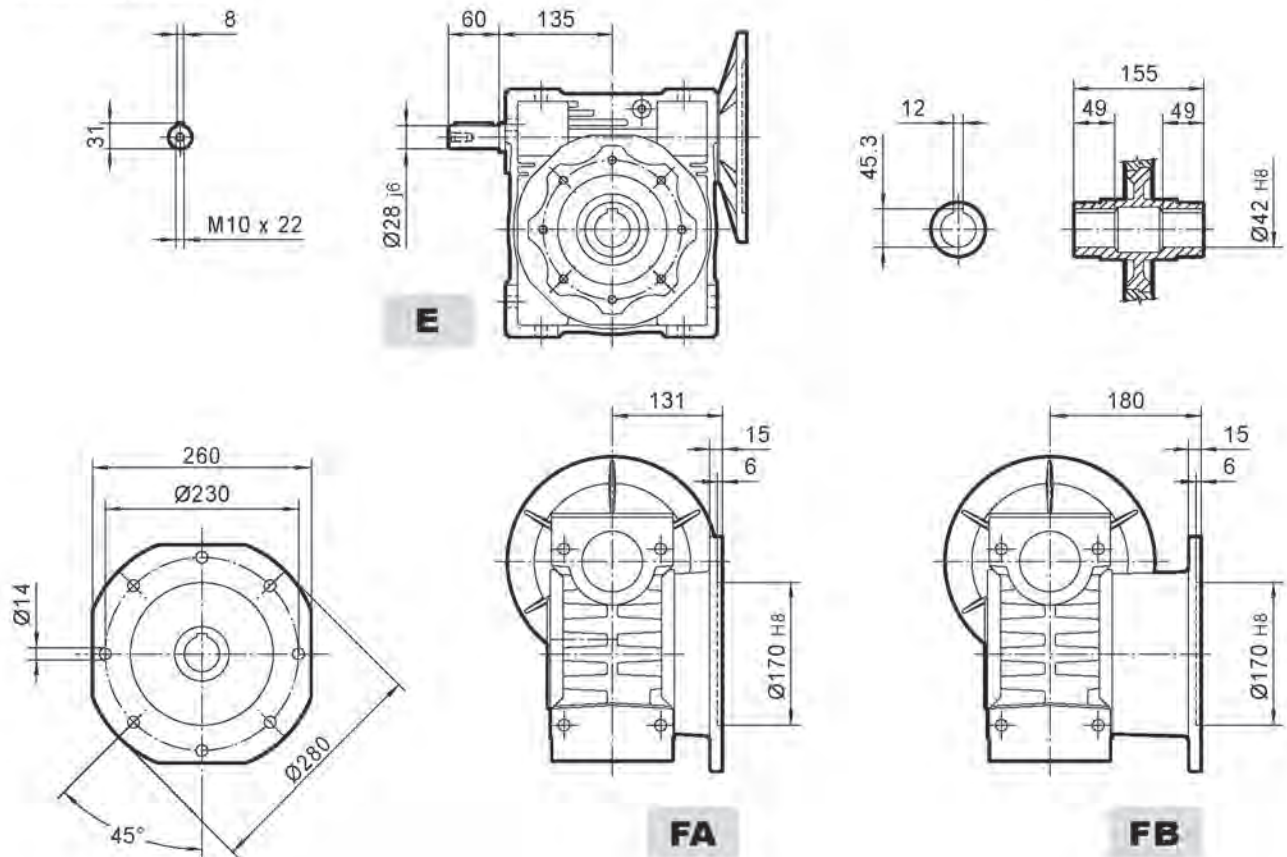
Weight without motor $\approx 21 \text{ kg}$

TNRV110..(IEC)

Input adapters



Worm output shaft

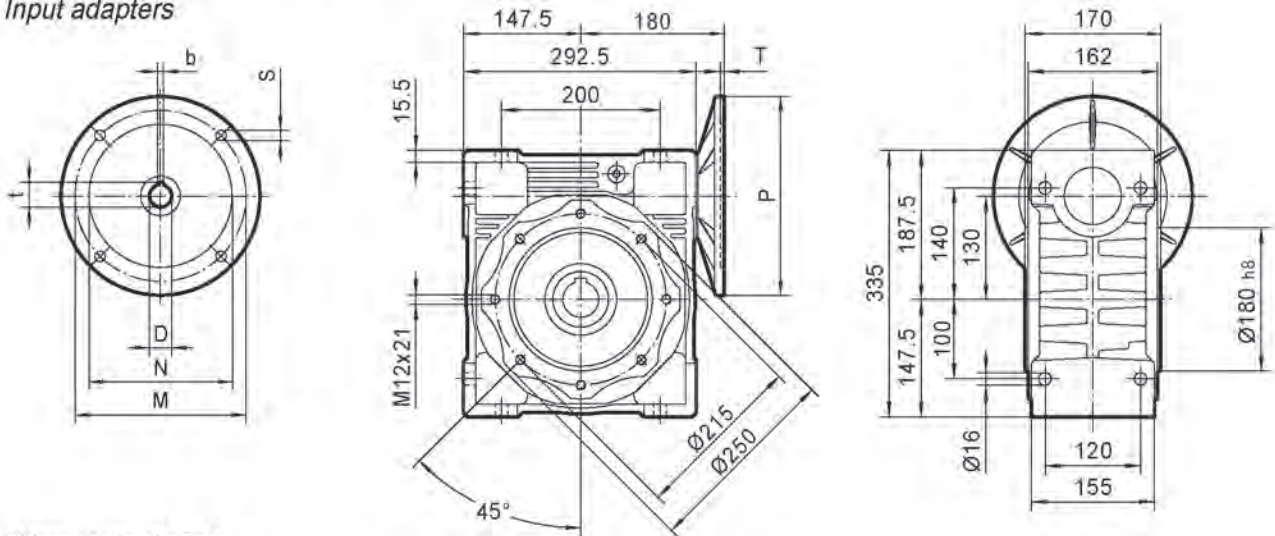


IEC	D_{E8}	b	t	P	M	N	S	T
80B5	19	6	21.8	200	165	130	11	4
90B5	24	8	27.3	200	165	130	11	4
100B5	28	8	31.3	250	215	180	14	4.5
112B5	28	8	31.3	250	215	180	14	4.5
132B5	38	10	41.3	300	265	230	14	4.5

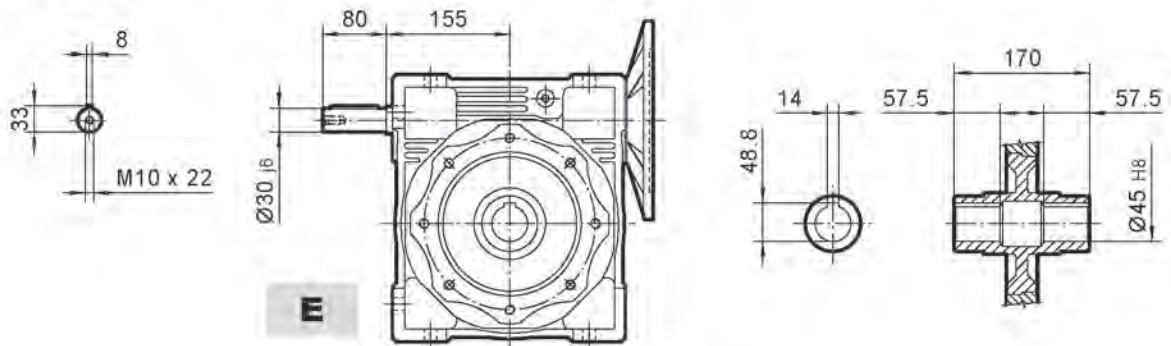
Weight without motor $\approx 35 \text{ kg}$

TNRV130..(IEC)

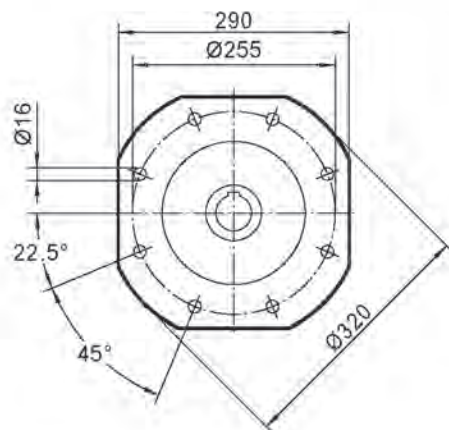
Input adapters



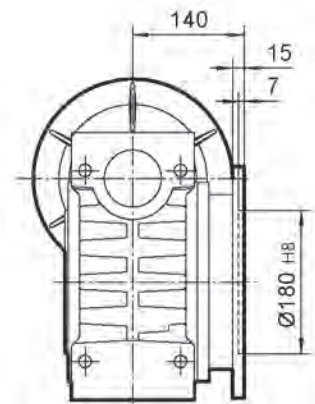
Worm output shaft



FA



FA



IEC	DE8	b	t	P	M	N	S	T
90B5	24	8	27.3	200	165	130	11	4
100B5	28	8	31.3	250	215	180	14	4.5
112B5	28	8	31.3	250	215	180	14	4.5
132B5	38	10	41.3	300	265	230	14	4.5

Weight without motor $\approx 48 \text{ kg}$