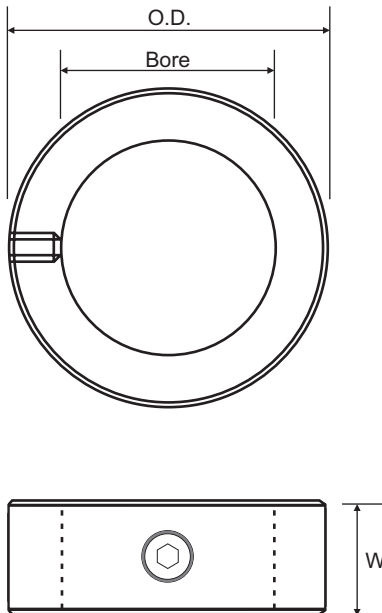


One Piece Solid (Set Screw Type) Metric



Set screw collars are most effective when used on a shaft made of a material that is softer than the set screw. Ruland set screw collars are furnished exclusively with forged socket set screws for greater torque capacity and improved holding power. Forging of the stainless steel set screws has the additional benefit of work hardening, which results in stainless steel with elevated hardness and performance.



Part No.	Bore (mm)	O.D. (mm)	W (mm)	F	SS
MSC-4	4.0	8.0	5.0	✓	✓
MSC-5	5.0	10.0	6.0	✓	✓
MSC-6	6.0	12.0	8.0	✓	✓
MSC-8	8.0	16.0	8.0	✓	✓
MSC-10	10.0	20.0	10.0	✓	✓
MSC-12	12.0	22.0	12.0	✓	✓
MSC-14	14.0	25.0	12.0	✓	✓
MSC-15	15.0	25.0	12.0	✓	✓
MSC-16	16.0	28.0	12.0	✓	✓
MSC-20	20.0	32.0	14.0	✓	✓
MSC-22	22.0	36.0	14.0	✓	✓
MSC-25	25.0	40.0	16.0	✓	✓
MSC-28	28.0	45.0	16.0	✓	✓
MSC-30	30.0	45.0	16.0	✓	✓
MSC-32	32.0	50.0	16.0	✓	✓
MSC-35	35.0	56.0	16.0	✓	✓
MSC-38	38.0	56.0	16.0	✓	✓
MSC-40	40.0	63.0	18.0	✓	✓
MSC-45	45.0	70.0	18.0	✓	✓
MSC-50	50.0	80.0	18.0	✓	✓

✓ Stocked Size

Steel - Black Oxide (F)

Cold drawn bar. Hot process black oxide, impregnated with naphthenic oil, centrifugal dried.

Stainless Steel (SS)

Stainless Steel Grade 303 austenitic, non-magnetic bar with a bright finish.

- Forged socket set screws.
- Additional sizes available.

- Bore tolerances:

Bore	Tolerances
All	+ .01mm
	+ .05mm

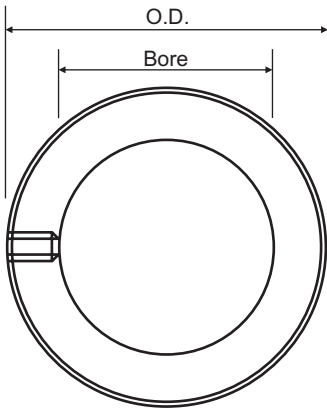
-Width tolerance

All	+ .08mm
	- .25mm

One Piece Solid (Set Screw Type) Inch

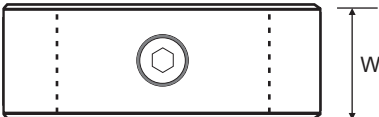


Set screw collars are most effective when used on a shaft made of a material that is softer than the set screw. Ruland set screw collars are furnished exclusively with forged socket set screws for greater torque capacity and improved holding power. Forging of the stainless steel set screws has the additional benefit of work hardening, which results in stainless steel with elevated hardness and performance.



Part No.	Bore (in)	O.D. (in)	W (in)	F	A	SS	P
SC-3	0.1875	0.438	0.250	✓	✓	✓	✓
SC-4	0.2500	0.500	0.281	✓	✓	✓	✓
SC-5	0.3125	0.625	0.344	✓	✓	✓	✓
SC-6	0.3750	0.750	0.375	✓	✓	✓	✓
SC-7	0.4375	0.875	0.438	✓	✓	✓	✓
SC-8	0.5000	1.000	0.438	✓	✓	✓	✓
SC-10	0.6250	1.125	0.500	✓	✓	✓	✓
SC-12	0.7500	1.250	0.563	✓	✓	✓	✓
SC-14	0.8750	1.500	0.563	✓		✓	✓
SC-16	1.0000	1.625	0.625	✓		✓	✓
SC-18	1.1250	1.750	0.625	✓		✓	✓
SC-20	1.2500	2.000	0.688	✓		✓	✓
SC-22	1.3750	2.125	0.750	✓		✓	
SC-24	1.5000	2.250	0.750	✓		✓	✓
SC-26	1.6250	2.500	0.813	✓		✓	
SC-28	1.7500	2.750	0.875	✓		✓	
SC-30	1.8750	2.750	0.875	✓		✓	
SC-32	2.0000	3.000	0.875	✓		✓	

✓ Stocked Size



Steel - Black Oxide (F)

Cold drawn bar. Hot process black oxide, impregnated with naphthenic oil, centrifugal dried.

Aluminium (A)

2024-T351 bar with a bright finish.

Stainless Steel (SS)

Stainless Steel Grade 303 austenitic, non-magnetic bar with a bright finish.

Acetal (P)

Delrin 150E (White) with a plain finish

- Forged socket set screws.
- Additional sizes available.

- Bore tolerances:

Bore	Tolerance
Up to 1"	+ .0005"
	+ .002"

1.1/8" to 2"	+ .0005"
	+ .003"

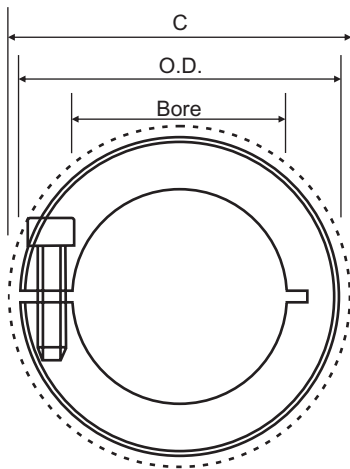
-Width tolerance:

All	+ .003"
	- .010"



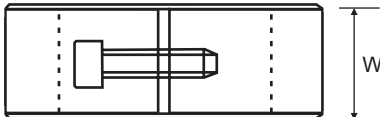
One Piece Split (Clamp Type) Inch

One-piece clamp style collars wrap around the shaft for even greater distribution of clamping forces. This results in a tight fit and greater holding power, without the shaft damage caused by set screws. Ruland uses carefully selected materials and proprietary processes to ensure that the clamping gap remains open for simpler and more precise adjustment.



Part No.	Bore (in)	O.D. (in)	C (in)	W (in)	F	A	SS	P
CL-2	0.1250	0.625	0.773	0.281	✓	✓	✓	
CL-3	0.1875	0.625	0.773	0.281	✓	✓	✓	✓
CL-4	0.2500	0.625	0.773	0.281	✓	✓	✓	✓
CL-5	0.3125	0.688	0.838	0.281	✓	✓	✓	✓
CL-6	0.3750	0.875	1.027	0.343	✓	✓	✓	✓
CL-7	0.4375	0.938	1.080	0.343	✓	✓	✓	✓
CL-8	0.5000	1.125	1.281	0.406	✓	✓	✓	✓
CL-10	0.6250	1.313	1.500	0.437	✓	✓	✓	✓
CL-12	0.7500	1.500	1.808	0.500	✓	✓	✓	✓
CL-14	0.8750	1.625	1.916	0.500	✓	✓	✓	✓
CL-16	1.0000	1.750	2.032	0.500	✓	✓	✓	✓
CL-18	1.1250	1.875	2.140	0.500	✓	✓	✓	✓
CL-20	1.2500	2.063	2.295	0.500	✓	✓	✓	✓
CL-22	1.3750	2.250	2.465	0.563	✓	✓	✓	✓
CL-24	1.5000	2.375	2.578	0.563	✓	✓	✓	✓
CL-26	1.6250	2.625	2.935	0.688	✓	✓	✓	✓
CL-28	1.7500	2.750	3.046	0.688	✓	✓	✓	✓
CL-30	1.8750	2.875	3.160	0.688	✓	✓	✓	✓
CL-32	2.0000	3.000	3.273	0.688	✓	✓	✓	✓

✓ Stocked Size



Steel - Black Oxide (F)

Cold drawn bar. Hot process black oxide, impregnated with naphthenic oil, centrifugal dried.

Aluminium (A)

2024-T351 bar with a bright finish.

Stainless Steel (SS)

Stainless Steel Grade 303 austenitic, non-magnetic bar with a bright finish.

Acetal (P)

Delrin 150E (White) with a plain finish

- Does not mar the shaft.
- Single point faced.
- Balanced versions available.
- Additional sizes available.

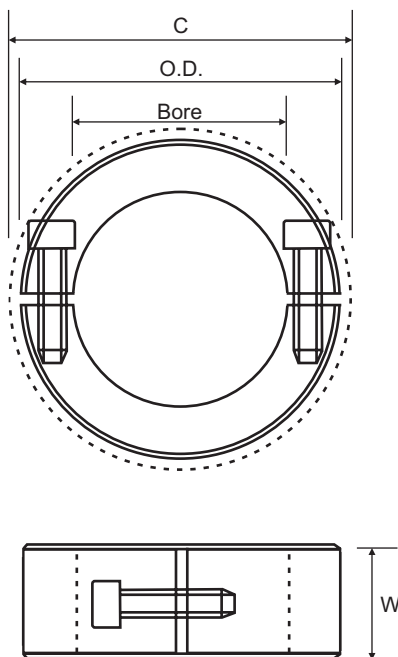
-Width tolerance:

All +.003"
 -.010"



Two Piece Split (Clamp Type) Metric

Two-piece clamp style collars offer the same benefits of the one-piece collars with additional versatility and convenience. They are easily disassembled, reducing labour and downtime when adjustment, removal or replacement is necessary. Ruland keeps both halves of its two-piece collars together throughout the manufacturing process to assure a perfect match for proper fit, holding power and alignment.



- Does not mar the shaft.
- Single point faced.
- Available with keyways.
- Opposing screws available.
- Additional sizes available.

-Width tolerance:

All +.08 mm
 -.25 mm

Part No.	Bore (mm)	O.D. (mm)	C (mm)	W (mm)	F	A	SS	P
MSP-4	4.0	16.0	20.8	9.0	✓	✓	✓	✓
MSP-5	5.0	16.0	20.8	9.0	✓	✓	✓	✓
MSP-6	6.0	16.0	20.8	9.0	✓	✓	✓	✓
MSP-8	8.0	18.0	22.4	9.0	✓	✓	✓	✓
MSP-10	10.0	24.0	26.3	9.0	✓	✓	✓	✓
MSP-12	12.0	28.0	32.0	11.0	✓	✓	✓	✓
MSP-14	14.0	30.0	33.7	11.0	✓	✓	✓	
MSP-15	15.0	34.0	39.3	13.0	✓	✓	✓	✓
MSP-16	16.0	34.0	39.3	13.0	✓	✓	✓	✓
MSP-19	19.0	40.0	47.4	15.0	✓	✓	✓	
MSP-20	20.0	40.0	47.4	15.0	✓	✓	✓	✓
MSP-22	22.0	42.0	49.5	15.0	✓	✓	✓	✓
MSP-25	25.0	45.0	52.1	15.0	✓	✓	✓	✓
MSP-28	28.0	48.0	54.7	15.0	✓	✓	✓	✓
MSP-30	30.0	54.0	59.2	15.0	✓	✓	✓	✓
MSP-32	32.0	54.0	59.2	15.0	✓	✓	✓	
MSP-35	35.0	57.0	62.4	15.0	✓	✓	✓	
MSP-38	38.0	60.0	65.6	15.0	✓	✓	✓	
MSP-40	40.0	60.0	65.6	15.0	✓	✓	✓	
MSP-42	42.0	73.0	80.1	19.0	✓	✓	✓	
MSP-45	45.0	73.0	80.1	19.0	✓	✓	✓	
MSP-48	48.0	78.0	84.7	19.0	✓	✓	✓	
MSP-50	50.0	78.0	84.7	19.0	✓	✓	✓	
MSP-55	55.0	82.0	88.8	19.0	✓		^	
MSP-60	60.0	88.0	94.0	19.0	✓		^	
MSP-65	65.0	93.0	99.8	19.0	✓		^	
MSP-70	70.0	98.0	104.5	19.0	✓		^	
MSP-75	75.0	103.0	109.1	19.0	✓		^	
MSP-80	80.0	108.0	113.8	19.0	✓		^	

✓ Stocked Size

^ Available on request

Steel - Black Oxide (F)

Cold drawn bar. Hot process black oxide, impregnated with naphthenic oil, centrifugal dried.

Aluminium (A)

2024-T351 bar with a bright finish.

Stainless Steel (SS)

Stainless Steel Grade 303 austenitic, non-magnetic bar with a bright finish.

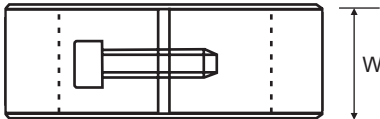
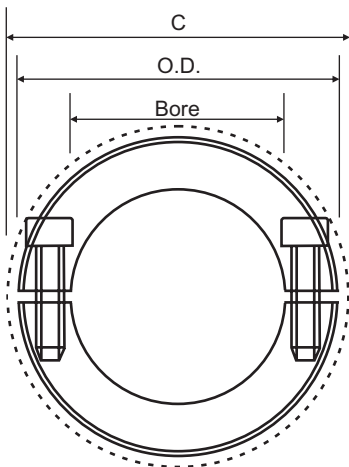
Acetal (P)

Delrin 150E (White) with a plain finish



Two Piece Split (Clamp Type) Inch

Two-piece clamp style collars offer the same benefits of the one-piece collars with additional versatility and convenience. They are easily disassembled, reducing labour and downtime when adjustment, removal or replacement is necessary. Ruland keeps both halves of its two-piece collars together throughout the manufacturing process to assure a perfect match for proper fit, holding power and alignment.



Part No.	Bore (in)	O.D. (in)	C (in)	W (in)	F	A	SS	P
SP-2	0.1250	0.625	0.773	0.281	✓	✓	✓	
SP-3	0.1875	0.625	0.773	0.281	✓	✓	✓	✓
SP-4	0.2500	0.625	0.773	0.281	✓	✓	✓	✓
SP-5	0.3125	0.688	0.838	0.281	✓	✓	✓	✓
SP-6	0.3750	0.875	1.027	0.343	✓	✓	✓	✓
SP-7	0.4375	0.938	1.080	0.343	✓	✓	✓	✓
SP-8	0.5000	1.125	1.281	0.406	✓	✓	✓	✓
SP-10	0.6250	1.313	1.500	0.437	✓	✓	✓	✓
SP-12	0.7500	1.500	1.808	0.500	✓	✓	✓	✓
SP-14	0.8750	1.625	1.916	0.500	✓	✓	✓	✓
SP-16	1.0000	1.750	2.032	0.500	✓	✓	✓	✓
SP-18	1.1250	1.875	2.140	0.500	✓	✓	✓	✓
SP-20	1.2500	2.063	2.295	0.500	✓	✓	✓	✓
SP-22	1.3750	2.250	2.465	0.563	✓	✓	✓	✓
SP-24	1.5000	2.375	2.578	0.563	✓	✓	✓	✓
SP-26	1.6250	2.625	2.935	0.688	✓	✓	✓	✓
SP-28	1.7500	2.750	3.046	0.688	✓	✓	✓	✓
SP-30	1.8750	2.875	3.160	0.688	✓	✓	✓	✓
SP-32	2.0000	3.000	3.273	0.688	✓	✓	✓	✓

✓ Stocked Size

Steel - Black Oxide (F)

Cold drawn bar. Hot process black oxide, impregnated with naphthenic oil, centrifugal dried.

Aluminium (A)

2024-T351 bar with a bright finish.

Stainless Steel (SS)

Stainless Steel Grade 303 austenitic, non-magnetic bar with a bright finish.

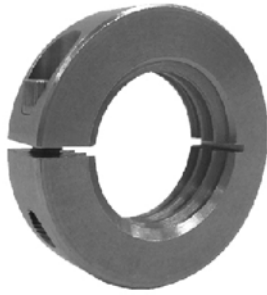
Acetal (P)

Delrin 150E (White) with a plain finish

- Does not mar the shaft.
- Single point faced.
- Available with keyways.
- Opposing screws available.
- Additional sizes available.

-Width tolerance:

All +.003"
 -.010"

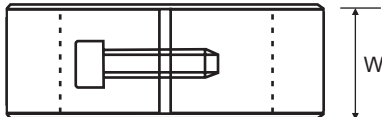
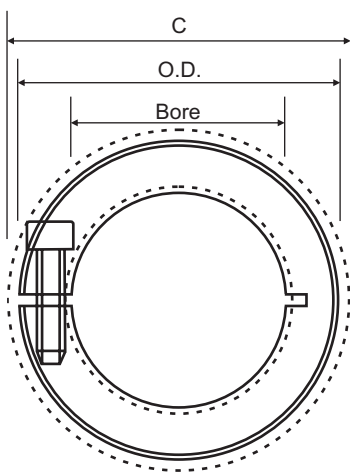


Threaded One Piece Split (Clamp Type) Metric

Clamp style collars with threaded bores are also available. Threaded collars provide axial holding power superior to smooth bore collars, while offering easier installation and adjustment than solid ring locking devices.

Part No.	Thread	Pitch (mm)	O.D. (mm)	C (mm)	W (mm)	F	SS
MTCL-4-0.7	M4	0.7	16.0	20.8	9.0	✓	✓
MTCL-5-0.8	M5	0.8	16.0	20.8	9.0	✓	✓
MTCL-6-1	M6	1.0	16.0	20.8	9.0	✓	✓
MTCL-8-1.25	M8	1.3	18.0	22.4	9.0	✓	✓
MTCL-10-1.5	M10	1.5	24.0	26.3	9.0	✓	✓
MTCL-12-1.75	M12	1.8	28.0	32.0	11.0	✓	✓
MTCL-16-2	M16	2.0	34.0	39.3	13.0	✓	✓
MTCL-20-2.5	M20	2.5	40.0	47.4	15.0	✓	✓
MTCL-24-3	M24	3.0	45.0	52.1	15.0	✓	✓
MTCL-30-3.5	M30	3.5	54.0	59.2	15.0	✓	✓

✓ Stocked Size



- Does not mar the shaft.
- Single point faced.
- Acme and Left-hand threads available.
- Additional sizes available.

-Width tolerance:

All

- + .08 mm
- .25 mm

Steel - Black Oxide (F)

Cold drawn bar. Hot process black oxide, impregnated with naphthenic oil, centrifugal dried.

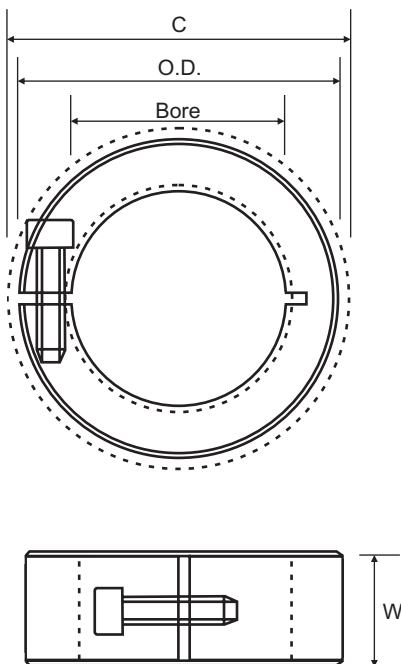
Stainless Steel (SS)

Stainless Steel Grade 303 austenitic, non-magnetic bar with a bright finish.



Threaded One Piece Split (Clamp Type) Inch

Clamp style collars with threaded bores are also available. Threaded collars provide axial holding power superior to smooth bore collars, while offering easier installation and adjustment than solid ring locking devices.



- Does not mar the shaft.
- Single point faced.
- Acme and Left-hand threads available.
- Additional sizes available.

-Width tolerance:

All

+ .003"

- .010"

Part No.	Bore (in)	T.P.I.	O.D. (in)	C (in)	W (in)	F	SS
TCL-2-32	#8 UNC	32	0.6250	0.773	0.281	✓	✓
TCL-3-24	#10 UNC	24	0.6250	0.773	0.281	✓	✓
TCL-3-32	#10 UNF	32	0.6250	0.773	0.281	✓	✓
TCL-4-20	0.2500 UNC	20	0.6250	0.773	0.281	✓	✓
TCL-4-28	0.2500 UNF	28	0.6250	0.773	0.281	✓	✓
TCL-5-18	0.3125 UNC	18	0.6875	0.838	0.281	✓	✓
TCL-5-24	0.3125 UNF	24	0.6875	0.838	0.281	✓	✓
TCL-6-16	0.3750 UNC	16	0.8750	1.027	0.343	✓	✓
TCL-6-24	0.3750 UNF	24	0.8750	1.027	0.343	✓	✓
TCL-7-14	0.4375 UNC	14	0.9375	1.080	0.343	✓	✓
TCL-7-20	0.4375 UNF	20	0.9375	1.080	0.343	✓	✓
TCL-8-13	0.5000 UNC	13	1.1250	1.281	0.406	✓	✓
TCL-8-20	0.5000 UNF	20	1.1250	1.281	0.406	✓	✓
TCL-10-11	0.6250 UNC	11	1.3125	1.500	0.437	✓	✓
TCL-10-18	0.6250 UNF	18	1.3125	1.500	0.437	✓	✓
TCL-12-10	0.7500 UNC	10	1.5000	1.808	0.500	✓	✓
TCL-12-16	0.7500 UNF	16	1.5000	1.808	0.500	✓	✓
TCL-14-9	0.8750 UNC	09	1.6250	1.916	0.500	✓	✓
TCL-14-14	0.8750 UNF	14	1.6250	1.916	0.500	✓	✓
TCL-16-8	1.0000 UNC	08	1.7500	2.032	0.500	✓	✓
TCL-16-12	1.0000 UNF	12	1.7500	2.032	0.500	✓	✓
TCL-16-14	1.0000 UNS	14	1.7500	2.032	0.500	✓	✓
TCL-18-7	1.1250 UNC	07	1.8750	2.140	0.500	✓	✓
TCL-18-12	1.1250 UNF	12	1.8750	2.140	0.500	✓	✓
TCL-20-7	1.2500 UNC	07	2.0625	2.295	0.500	✓	✓
TCL-20-12	1.2500 UNF	12	2.0625	2.295	0.500	✓	✓
TCL-22-6	1.3750 UNC	06	2.2500	2.465	0.563	✓	✓
TCL-22-12	1.3750 UNF	12	2.2500	2.465	0.563	✓	✓
TCL-24-6	1.5000 UNC	06	2.3750	2.578	0.563	✓	✓
TCL-24-12	1.5000 UNF	12	2.3750	2.578	0.563	✓	✓
TCL-28-16	1.7500 UNS	16	2.7500	3.046	0.688	✓	✓
TCL-32-12	2.0000 UN	12	3.0000	3.273	0.688	✓	✓
TCL-36-12	2.2500 UN	12	3.2500	3.504	0.750	✓	✓

✓

Stock Size

Steel - Black Oxide (F)

Cold drawn bar. Hot process black oxide, impregnated with naphthenic oil, centrifugal dried.

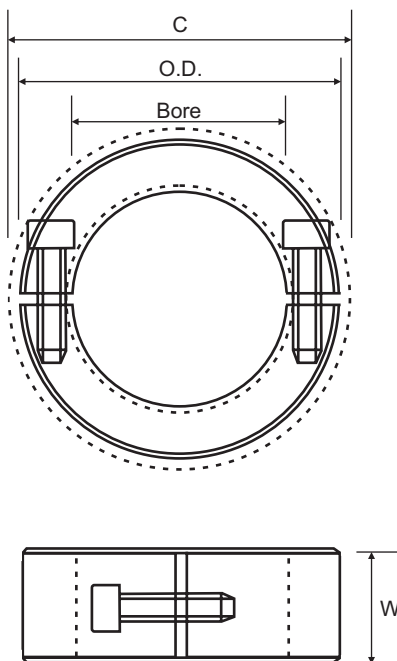
Stainless Steel (SS)

Stainless Steel Grade 303 austenitic, non-magnetic bar with a bright finish.



Threaded Two Piece Split (Clamp Type) Inch

Clamp style collars with threaded bores are also available. Threaded collars provide axial holding power superior to smooth bore collars, while offering easier installation and adjustment than solid ring locking devices.



- Does not mar the shaft.
- Single point faced.
- Acme and Left-hand threads available.
- Opposing screws available.
- Additional sizes available.

-Width tolerance:

All

+ .003"
- .010"

Part No.	Thread (in)	T.P.I.	O.D. (in)	C (in)	W (in)	F	SS
TSP-2-32	#8 UNC	32	0.625	0.773	0.281	^	^
TSP-3-24	#10 UNC	24	0.625	0.773	0.281	^	^
TSP-3-32	#10 UNF	32	0.625	0.773	0.281	^	^
TSP-4-20	0.2500 UNC	20	0.625	0.773	0.281	^	^
TSP-4-28	0.2500 UNF	28	0.625	0.773	0.281	^	^
TSP-5-18	0.3125 UNC	18	0.688	0.838	0.281	^	^
TSP-5-24	0.3125 UNF	24	0.688	0.838	0.281	^	^
TSP-6-16	0.3750 UNC	16	0.875	1.027	0.343	^	^
TSP-6-24	0.3750 UNF	24	0.875	1.027	0.343	^	^
TSP-7-14	0.4375 UNC	14	0.938	1.080	0.343	^	^
TSP-7-20	0.4375 UNF	20	0.938	1.080	0.343	^	^
TSP-8-13	0.5000 UNC	13	1.125	1.281	0.406	^	^
TSP-8-20	0.5000 UNF	20	1.125	1.281	0.406	^	^
TSP-10-11	0.6250 UNC	11	1.313	1.500	0.437	^	^
TSP-10-18	0.6250 UNF	18	1.313	1.500	0.437	^	^
TSP-12-10	0.7500 UNC	10	1.500	1.808	0.500	^	^
TSP-12-16	0.7500 UNF	16	1.500	1.808	0.500	^	^
TSP-14-9	0.8750 UNC	09	1.625	1.916	0.500	^	^
TSP-14-14	0.8750 UNF	14	1.625	1.916	0.500	^	^
TSP-16-8	1.0000 UNC	08	1.750	2.032	0.500	^	^
TSP-16-12	1.0000 UNF	12	1.750	2.032	0.500	^	^
TSP-16-14	1.0000 UNS	14	1.750	2.032	0.500	^	^
TSP-18-7	1.1250 UNC	07	1.875	2.140	0.500	^	^
TSP-18-12	1.1250 UNF	12	1.875	2.140	0.500	^	^
TSP-20-7	1.2500 UNC	07	2.063	2.295	0.500	^	^
TSP-20-12	1.2500 UNF	12	2.063	2.295	0.500	^	^
TSP-22-6	1.3750 UNC	06	2.250	2.465	0.563	^	^
TSP-22-12	1.3750 UNF	12	2.250	2.465	0.563	^	^
TSP-24-6	1.5000 UNC	06	2.375	2.578	0.563	^	^
TSP-24-12	1.5000 UNF	12	2.375	2.578	0.563	^	^
TSP-28-16	1.7500 UNS	16	2.750	3.046	0.688	^	^
TSP-32-12	2.0000 UN	12	3.000	3.273	0.688	^	^
TSP-36-12	2.2500 UN	12	3.250	3.504	0.750	^	^

^ Available on request

Steel - Black Oxide (F)

Cold drawn bar. Hot process black oxide, impregnated with naphthenic oil, centrifugal dried.

Stainless Steel (SS)

Stainless Steel Grade 303 austenitic, non-magnetic bar with a bright finish.