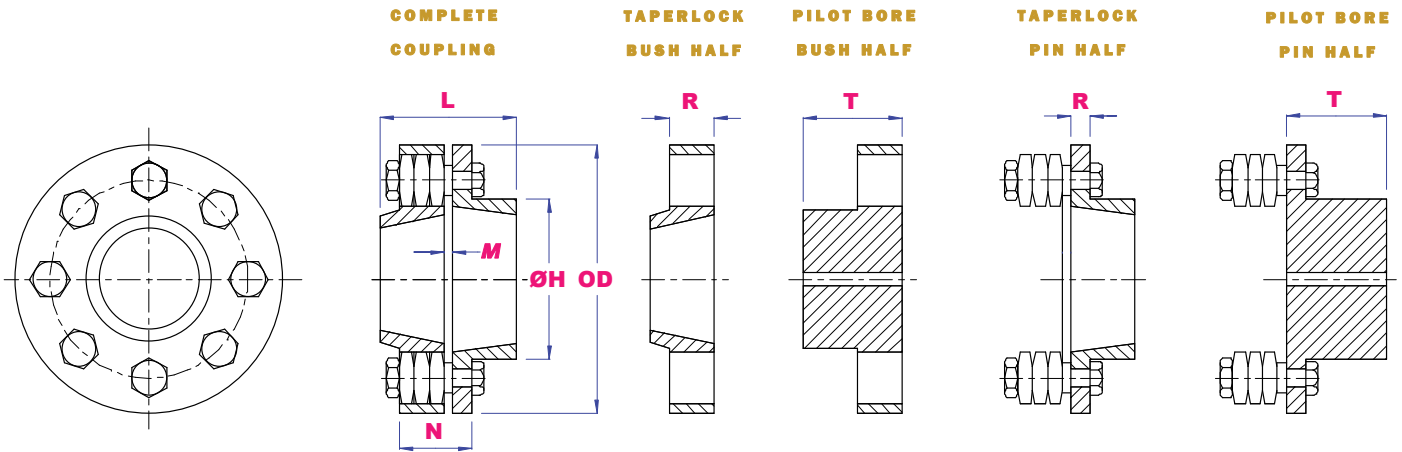


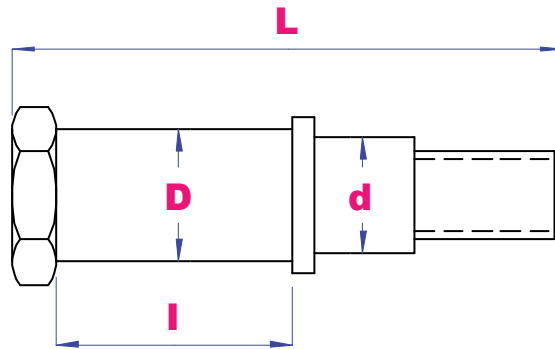
# CONE RING COUPLING DIMENSIONS



BORE	MC030	MC038	MC042	MC048	MC058	MC070	MC075	MC085	MC105	MC120	MC135	MC150
TAPERLOCK SIZE: PIN HALF			1610	2012	2517	3020		3535	4040	4040	4545	5050
TAPERLOCK SIZE: BUSH HALF			1210	1610	2012	2517		3030	3535	4040	4545	5050
MAX BORE TAPERLOCK: PIN HALF			42	50	65	75		90	100	100	110	125
MAX BORE TAPERLOCK: BUSH HALF			32	42	50	65		75	90	100	110	125
MAX BORE PILOT BORE: PIN HALF	38	42	48	55	65	80	85	90	115	120	135	150
MAX BORE PILOT BORE: BUSH HALF	30	38	42	48	58	70	75	85	105	110	125	135
<b>DIMENSIONS</b>												
D - OUTSIDE DIAMTER	127	132	146	171	193	216	254	279	330	370	419	457
H - HUB DIAMETER: PIN HALF	64	70	82	94	110	132	142	162	200	206	230	256
H - HUB DIAMETER: BUSH HALF	51	64	70	82	97	117	127	147	180	206	230	256
L - LENGTH (PILOT BORE)	88	102	118	128	142	159	183	207	241	270	300	336
L - LENGTH (TAPERLOCK)			56	63	82	102		172	198	209	235	260
M - GAP	6	6	6	6	6	7	7	7	7	7	7	7
R - FLANGE LENGTH: PIN HALF	12	12	12	17	17	17	30	30	30	46	46	46
R - FLANGE LENGTH: BUSH HALF	26	26	26	33	33	33	56	56	56	76	76	76
T - LTB PILOT BORE PIN & BUSH HALF	41	48	56	61	68	76	88	100	117	132	147	117
T - LTB TAPERLOCK PIN HALF			25	32	44	51		89	102	102	115	102
T - LTB TAPERLOCK BUSH HALF			25	25	32	44		76	89	102	115	89
<b>SPARES</b>												
NUMBER OF PINS PER COUPLING	4	6	8	6	8	10	8	10	12	10	12	14
NUMBER OF RUBBERS PER COUPLING	12	18	24	18	24	30	32	40	48	40	48	56
PIN SIZE	GC1-3	GC1-3	GC1-3	GC1.3/4.3	GC1.3/4.3	GC1.3/4.3	GC2.3/4.3	GC2.3/4.3	GC2.3/4.3	GC4.1/4.3	GC4.1/4.3	GC4.1/4.3
RING SIZE: RUBBER	GC1-4	GC1-4	GC1-4	GC1.3/4.4	GC1.3/4.4	GC1.3/4.4	GC2.3/4.4	GC2.3/4.4	GC2.3/4.4	GC4.1/4.4	GC4.1/4.4	GC4.1/4.4
PIN & RUBBER SET	GC1-5	GC1-5	GC1-5	GC1.3/4.5	GC1.3/4.5	GC1.3/4.5	GC2.3/4.5	GC2.3/4.5	GC2.3/4.5	GC4.1/4.5	GC4.1/4.5	GC4.1/4.5
<b>WEIGHT</b>												
PILOT BORE COUPLING (kg)	3.5	5.0	6.3	4.0	14	20	37	49	77	120	163	210
TAPERLOCK COUPLING (kg)			5.5	9.0	11		44	14.2	72	108	144	181

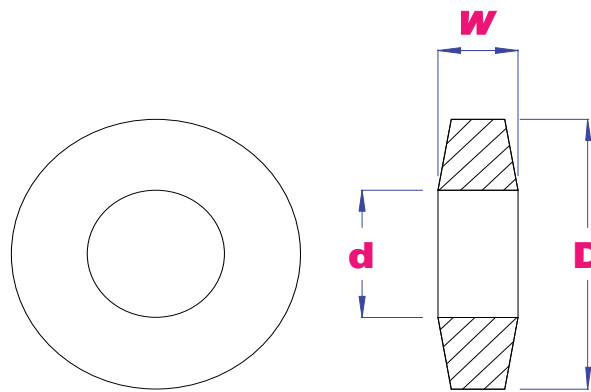
# CONE RING PIN/BUSH DIMENSIONS

## PIN



DIMENSIONS (mm)				
PIN No.	L	D	d	l
GC3/4-4	48	10	9.5	11
GC1-4	58.2	12.8	12.7	23.5
GC1.3/4-4	75	18	15.9	31.2
GC2.3/4-4	118.2	25.4	25.4	51.8
GC4.1/4-4	161	30.4	28.6	71.5

## BUSH



DIMENSIONS (mm)			
BUSH No.	d	D	W
GC3/4-3	10	22.5	5.2
GC1-3	12.8	28	7
GC1.3/4-3	18	37.5	10
GC2.3/4-3	25	50.2	12.2
GC4.1/4-3	30.2	62.3	17.5